

# RJ-008 Product Specification

8-inch embedded touch all-in-one machine



## Product Introduction

The touch all-in-one machine adopts aluminum-plastic panel and spray painted structure, passive heat dissipation without fan, and embedded installation method. In terms of design, we pay more attention to its reliability, adaptability to the environment, scalability, and other aspects. Multiple motherboards are used for configuration, with multiple combinations to develop IO interface to meet various application requirements;

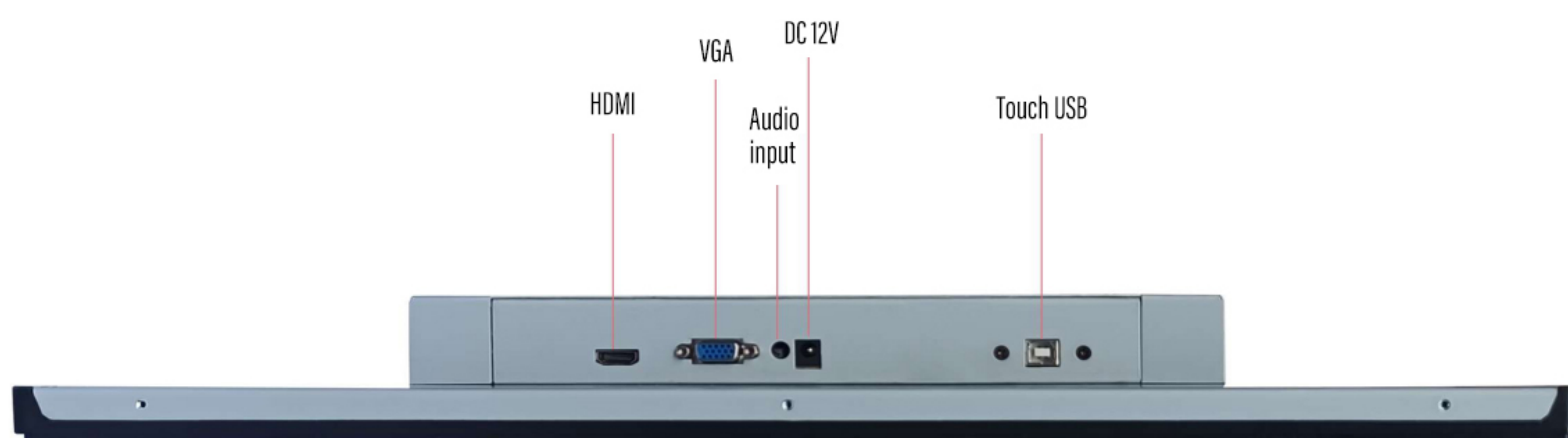
The embedded fanless design ensures stable operation in harsh environments, increases machine lifespan, and is noise free, making it suitable for use in high environments. Dust, high vibration, high temperature, low temperature and other environments;

Embedded installation, narrow frame design, allows for easy installation while integrating the all-in-one machine with the cabinet, with a pure flat structure. Simplicity is more aesthetically pleasing.

## Product Parameters

Whole machine parameters	model	RJ-008
	size	8 inches
	Overall size	205.53*164.93*42.0mm
	Hole size	196.6*156.0mm R4.0
	appearance	Aluminum plastic panel with spray paint

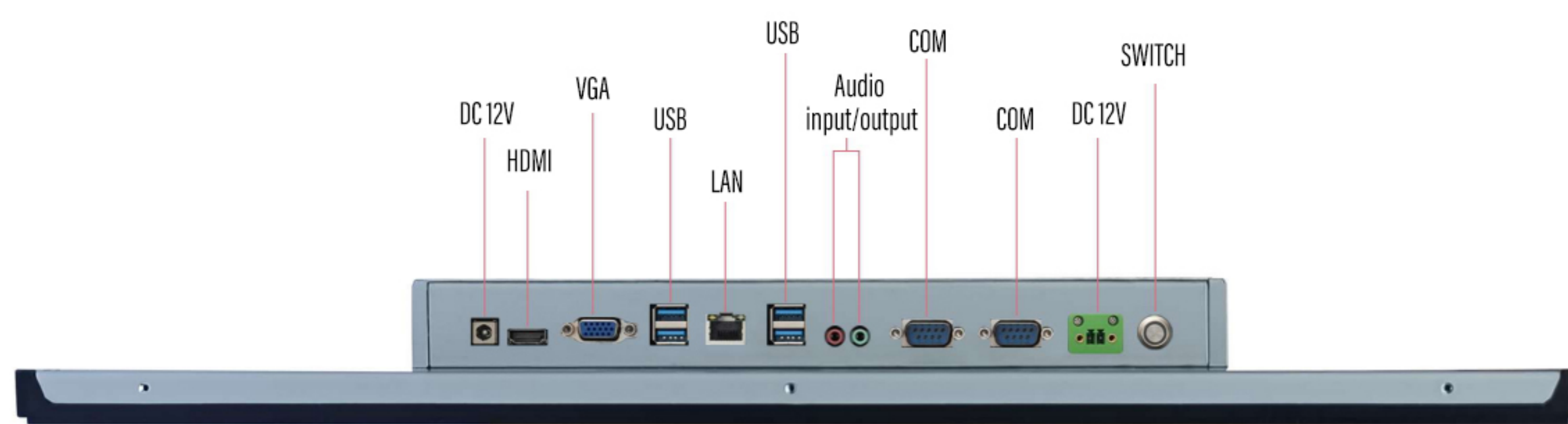
## Product Interface



### touch panel

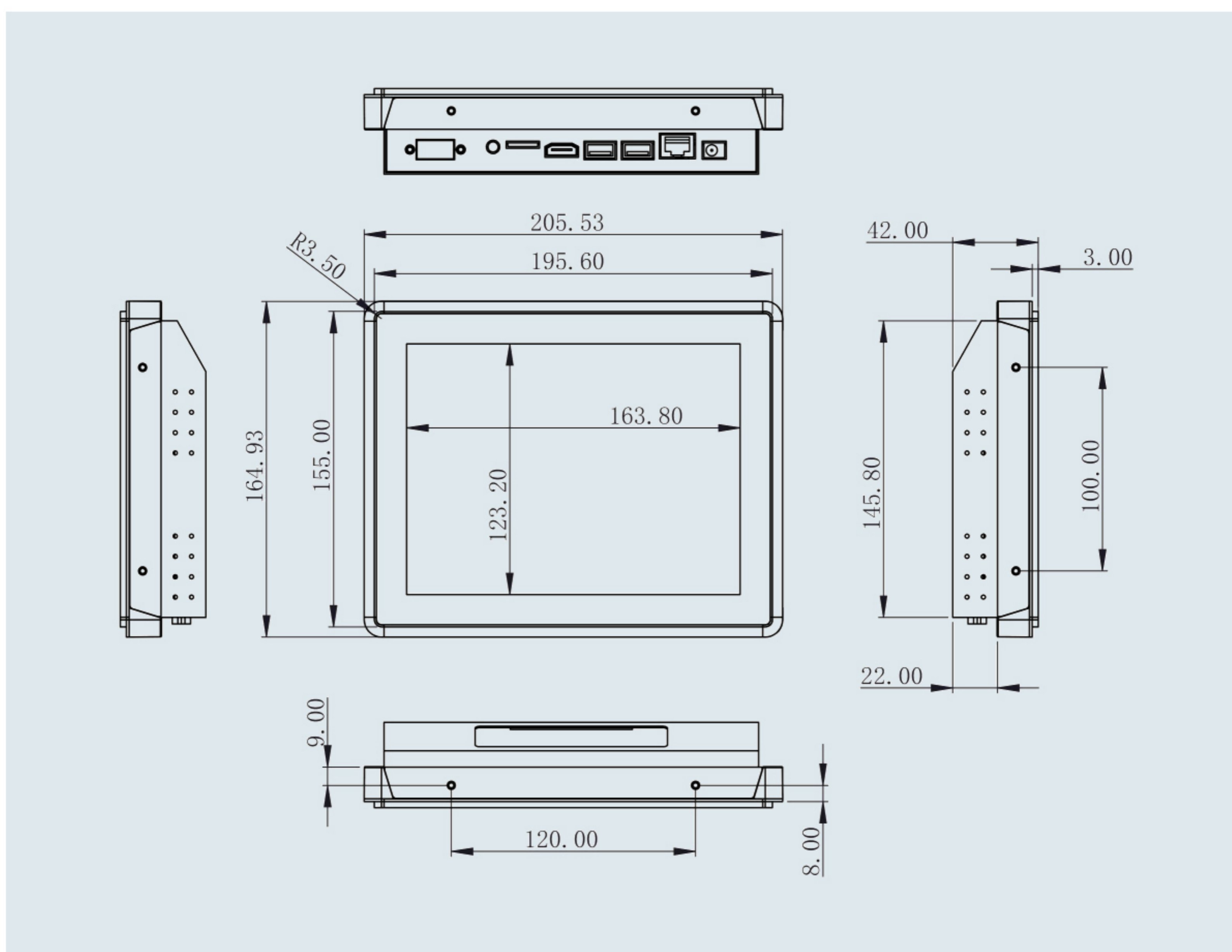


### Android system



### Windows

## Product size



## Installation method

